



**RADIALL**<sup>®</sup>  
MULTIPIN CONNECTOR

SALES DRAWING

616 004

Edition : 616004 JPM

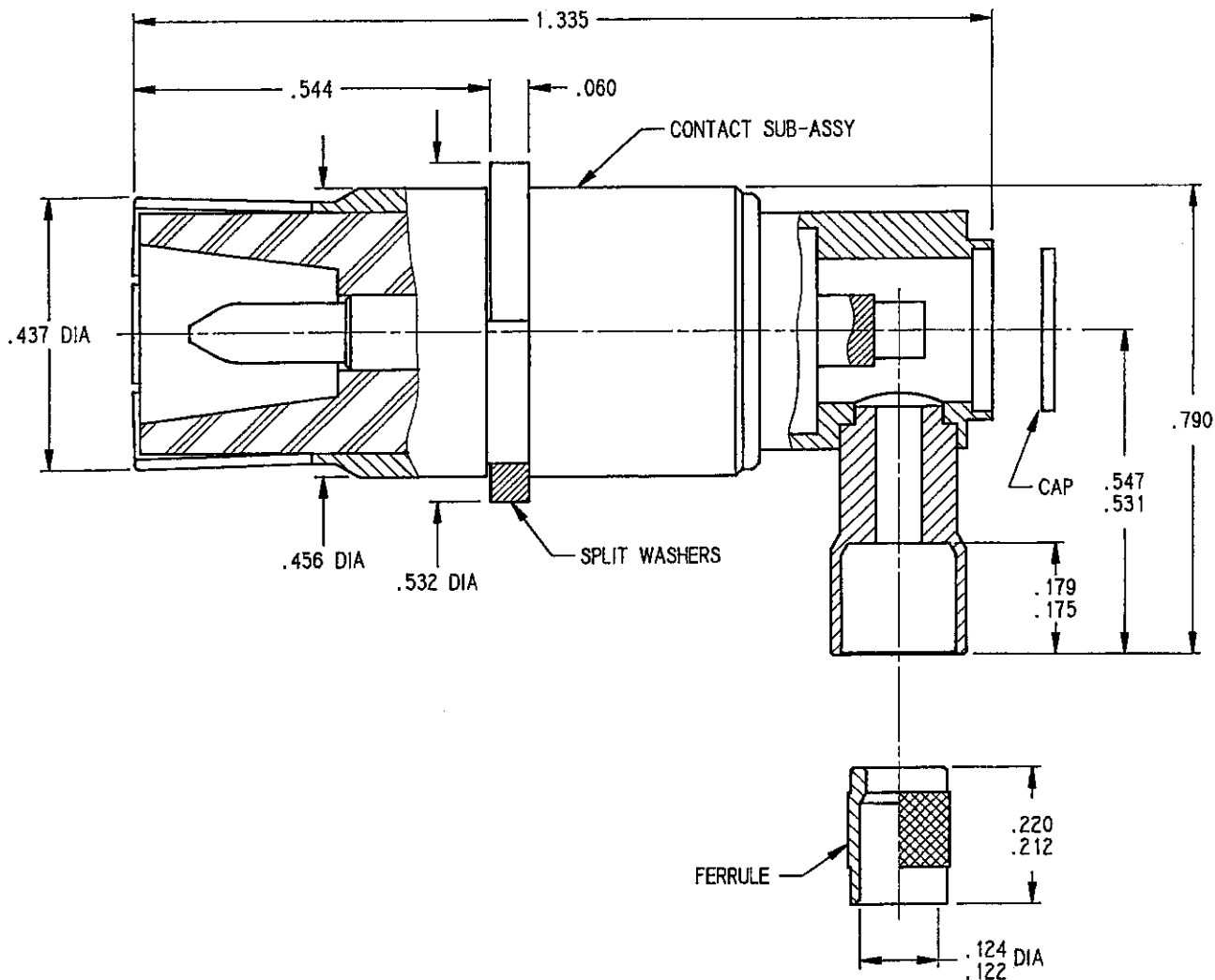
Page

SERIE : DSX

1 / 1

TITLE : SIZE 1 PIN COAXIAL CONTACT 90° STYLE  
FOR DOUBLE SHIELDED RG316 CABLE (Cust.P/N: 024-00058-0000)  
CUSTOMER BENDIX KING P/N: 030-00419-0001

PEN : 92037



**MATERIAL AND FINISH:**

OUTER CONTACT, CENTER CONTACT, CAP AND FERRULE: COPPER ALLOY\_GOLD OVER NICKEL  
SPLIT WASHERS: COPPER ALLOY\_CADMIUM PLATED  
INSULATOR: PTFE

**ELECTRICAL DATA**

TEMPERATURE RANGE -65°C+125°C  
IMPEDANCE 50Ω  
FREQUENCY RANGE 0 TO 6GHz  
DIELECTRIC WITHSTANDING VOLTAGE 1000V

WIRING INSTRUCTIONS SEE RP8134

IND	MODIFICATIONS	DATE	VISA
B	ADDED .124/.122 DIA .220/.212 .179/.175 .547/.531	08 28 92	LF
A	ADDED CUSTOMER P/N, DIMENSIONS AND ELECTRICAL DATA	07.31.92	JPM

Creation Date: JUNE 11 92  
Up-date Date: AUG. 28 92

This information is given as an indication. In the continual goal to better our products, we reserve the right to bring any modifications judged necessary.



101, rue Philibert Hoffmann, Z.I. Ouest  
93116 ROSNY/BOIS Cedex (France)  
Tel.: (1) 49 35 35 35  
Fax.: (1) 49 54 63 63  
Telex: RADIA 235220

THIS DOCUMENT WAS CREATED BY CAD. IT CANNOT BE MODIFIED EXCEPT BY CAD.